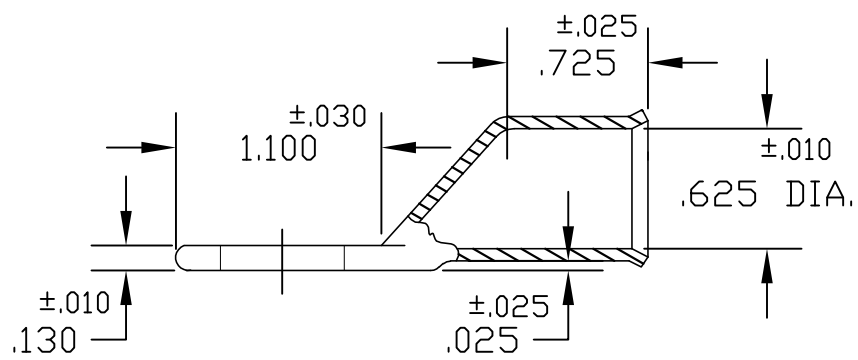
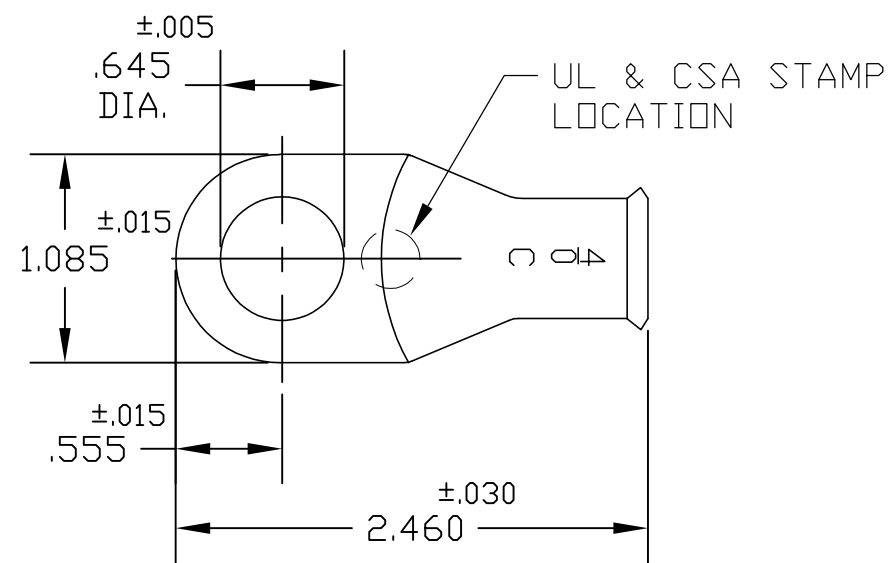


THIS DRAWING IS UNPUBLISHED. RELEASED FOR PUBLICATION  
 © COPYRIGHT BY TYCO ELECTRONICS CORPORATION. ALL RIGHTS RESERVED.

LOC	DIST	REVISIONS					
		P	LTR	DESCRIPTION	DATE	DWN	APVD
G	50		D	REV PER ECR 07-014512	21JUN07	JR	DD



ACTIVE	40583-01	STANDARD	TIN PLATE	1526922-2
OBSOLETE	40583-00	STANDARD	PLAIN	1526922-1
STATUS	AET P/N	PACKAGING	FINISH	PART NUMBER

THIS DRAWING IS A CONTROLLED DOCUMENT.		DWN D.A.A 11/3/00	Tyco Electronics Corporation Harrisburg, PA 17105-3608				
DIMENSIONS: INCHES		CHK H.D.F 11/3/00				NAME 4/0C STANDARD TERMINAL	
		APVD H.D.F 11/3/00	PRODUCT SPEC -				
TOLERANCES UNLESS OTHERWISE SPECIFIED: 0 PLC ± - 1 PLC ± - 2 PLC ± - 3 PLC ± - 4 PLC ± - ANGLES ± -		APPLICATION SPEC -	SCALE 1:1				
MATERIAL COPPER ASTM B-152		FINISH -	WEIGHT -	SIZE A3	CAGE CODE 00779	DRAWING NO G-1526922	RESTRICTED TO -
CUSTOMER DRAWING			SCALE 1:1	SHEET 1 OF 1	REV D		